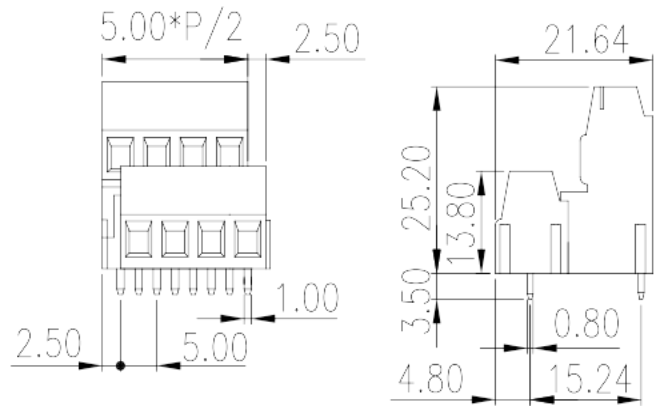


# EK500V4L-XXP

PCB Terminal Blocks &gt; PCB Terminal Blocks

Date:2026-04-06Version:V1



The web catalog is for reference only. Dinkle remains the right of product modification and engineering change of the design. The final product is made according to engineering drawing.

## Product Description

Pitch : 5.00mm, 300V, 20A

## General information

|  |                                       |
|--|---------------------------------------|
| Short description                      | PCB Terminal Blocks, Screw Connection |
| Category                               | PCB Terminal Blocks                   |
| Pitch (mm)                             | 5                                     |
| Color                                  | Green (default)                       |
| Connection method                      | Screw Connection                      |
| Type of locking                        | Without                               |
| Length (mm)                            | $5.00 \times P/2$                     |
| Width (mm)                             | 21.64                                 |
| Height (mm)                            | 25.2                                  |
| Pin demensions (Thickness x Width)(mm) | 0.8x1.0                               |
| PCB hole diameter (mm)                 | 1.5~1.6                               |
| Number of positions                    | 04P~48P                               |
| Level                                  | Double level                          |

## Material information

|                     |    |
|---------------------|----|
| Insulation material | PA |
|---------------------|----|

|  |                   |
|--|-------------------|
| Insulation material group                    | I                 |
| Flame retardant rating , compliant with UL94 | V0                |
| Insulation resistance                        | □500MΩ at DC 500V |
| Conductor material                           | COPPER ALLOY      |
| Plating of conductor surface                 | Tin PLATED        |

## Connection data-IEC

|  |      |
|--|------|
| Rated voltage (V)  | 320  |
| Rated current (A)  | 24   |
| Rated voltage (II/2)(V)  | 630  |
| Rated voltage (III/2) (V)  | 320  |
| Rated voltage (III/3)(V)   | 250  |
| Rated impulse voltage (II/2)(KV)   | 4    |
| Rated impulse voltage (III/2)(KV)  | 4    |
| Rated impulse voltage (III/3)(KV)  | 4    |
| Conductor cross section solid. min (mm <sup>2</sup> )  | 0.5  |
| Conductor cross section solid.max (mm <sup>2</sup> )   | 2.5  |
| Conductor cross section stranded. min (mm <sup>2</sup> )                                     | 0.5  |
| Conductor cross section stranded. max (mm <sup>2</sup> )                                     | 2.5  |
| Conductor cross section flexible, with min ferrule without plastic sleeve (mm <sup>2</sup> ) | 0.25 |
| Conductor cross section flexible, with max ferrule without plastic sleeve (mm <sup>2</sup> ) | 1.5  |
| Conductor cross section flexible, with min ferrule with plastic sleeve (mm <sup>2</sup> )    | 0.25 |
| Conductor cross section flexible, with max ferrule with plastic sleeve (mm <sup>2</sup> )    | 1.5  |
| 2 conductors with same cross section, solid, max (mm <sup>2</sup> )                          | 1    |
| 2 conductors with same cross section, stranded, max (mm <sup>2</sup> )                       | 1    |
| Screw thread   | M2.5 |
| Rated torque (N.m)   | 0.5  |
| Stripping Length (mm)  | 6~7  |

## Connection data-UL

|                                   |     |
|-----------------------------------|-----|
| Rated voltage (UL/CUL Group B)(V) | 300 |
| Rated current (UL/CUL Group B)(A) | 20  |

|  |     |
|--|-----|
| Rated voltage (UL/CUL Group D)(V)                | 300 |
| Rated current (UL/CUL Group D)(A)                | 20  |
| Min. solid wire connection (AWG) acc. to UL/CUL  | 24  |
| Max. solid wire connection AWG acc. to UL/CUL    | 12  |
| Min. stranded wire connection AWG acc. to UL/CUL | 24  |
| Max. stranded wire connection AWG acc. to UL/CUL | 12  |

## Environment & Safety

|                                 |     |
|---------------------------------|-----|
| Finger protection (YES or NO)   | YES |
| Operating temperature. max (°C) | 120 |
| Operating temperature. min (°C) | -40 |

## UL Recognized

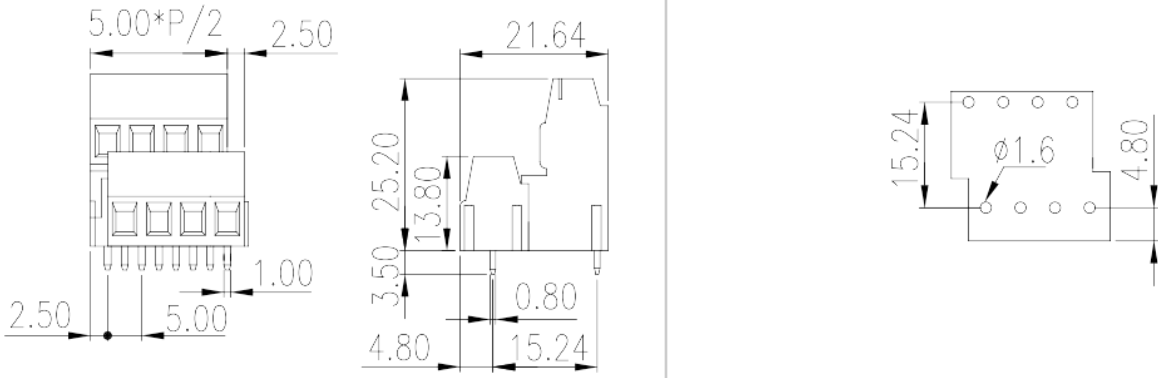
|                            |       |
|----------------------------|-------|
| Wire Range (Group B)(AWG)  | 24~12 |
| Rated voltage (Group B)(V) | 300   |
| Rated current (Group B)(A) | 20    |
| Wire Range (Group D)(AWG)  | 24~12 |
| Rated voltage (Group D)(V) | 300   |
| Rated current (Group D)(A) | 20    |

## CUL Recognized

|                            |       |
|----------------------------|-------|
| Wire Range (Group B)(AWG)  | 24~12 |
| Rated voltage (Group B)(V) | 300   |
| Rated current (Group B)(A) | 20    |
| Wire Ranget (Group D)(AWG) | 24~12 |
| Rated voltage (Group D)(V) | 300   |
| Rated current (Group D)(A) | 20    |

## Drawings

|  |  |
|--|--|
|  |  |
|--|--|



## Approvals

