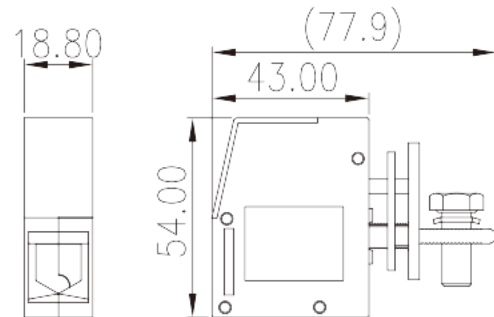
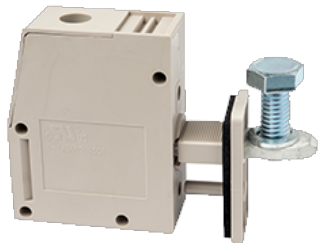


# PPAC-50AS

PCB Terminal Blocks &gt; Panel Feed-Through Blocks

Date:2026-04-06Version:1.2



The web catalog is for reference only. Dinkle remains the right of product modification and engineering change of the design. The final product is made according to engineering drawing.

## Product Description

M6, 300V, 150A

## General information

Short description	Panel Feed-Through, Screw Connection
Category	Panel Feed-Through
Color	Grey (default)
Connection method	Screw connection
Type of locking	Without
Length (mm)	18.8
Width (mm)	77.9
Height (mm)	54
Number of positions	1P

## Material information

Insulation material	PA
Insulation material group	I
Flame retardant rating , compliant with UL94	V0
Insulation resistance	□500MΩ at DC 500V
Conductor material	COPPER ALLOY

Plating of conductor surface

Tin PLATED

## Connection data-IEC

Rated voltage (V)	690
Rated current (A)	150
Rated voltage (III/3)(V)	690
Rated impulse voltage (III/3)(KV)	8
Conductor cross section solid. min (mm <sup>2</sup> )	16
Conductor cross section solid.max (mm <sup>2</sup> )	50
Conductor cross section stranded. min (mm <sup>2</sup> )	16
Conductor cross section stranded. max (mm <sup>2</sup> )	50
Screw thread	M6
Philips screwdriver size	#5
Rated torque (N.m)	6
Recommend tightening torque. min (N.m)	2.5
Recommend tightening torque. max (N.m)	5.9
Stripping Length (mm)	22~23

## Connection data-UL

Rated voltage (UL/CUL Group B)(V)	300
Rated current (UL/CUL Group B)(A)	150
Rated voltage (UL/CUL Group C)(V)	300
Rated current (UL/CUL Group C)(A)	150
Rated voltage (UL/CUL Group D)(V)	600
Rated current (UL/CUL Group D)(A)	5
Min. solid wire connection (AWG) acc. to UL/CUL	6
Max. solid wire connection AWG acc. to UL/CUL	1/0
Min. stranded wire connection AWG acc. to UL/CUL	6
Max. stranded wire connection AWG acc. to UL/CUL	1/0

## Environment & Safety

Back of the hand protection (YES or NO)	YES
Finger protection (YES or NO)	YES
Operating temperature. max (°C)	120
Operating temperature. min (°C)	-40

## UL Recognized

Wire Range (Group B)(AWG)	1/0~6
Rated voltage (Group B)(V)	300
Rated current (Group B)(A)	150
Wire Range (Group C)(AWG)	1/0~6
Rated voltage (Group C)(V)	300
Rated current (Group C)(A)	150
Wire Range (Group D)(AWG)	1/0~6
Rated voltage (Group D)(V)	600
Rated current (Group D)(A)	5

## CUL Recognized

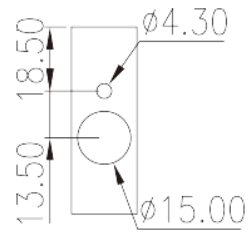
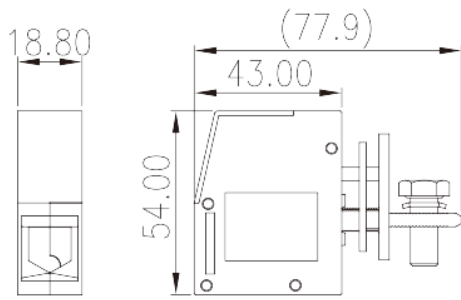
Wire Range (Group B)(AWG)	6~1/0
Rated voltage (Group B)(V)	300
Rated current (Group B)(A)	150
Wire Range (Group C)(AWG)	6~1/0
Rated voltage (Group C)(V)	300
Rated current (Group C)(A)	150
Wire Range (Group D)(AWG)	6~1/0
Rated voltage (Group D)(V)	600
Rated current (Group D)(A)	5

## VDE Approval

Wire Range (mm <sup>2</sup> )	16~50
Rated voltage (V)	400
Rated current (A)	150

## Drawings

--	--



## Approvals

