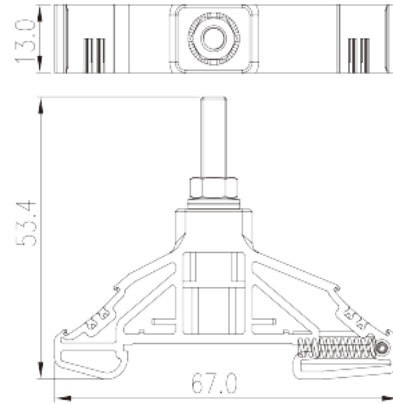
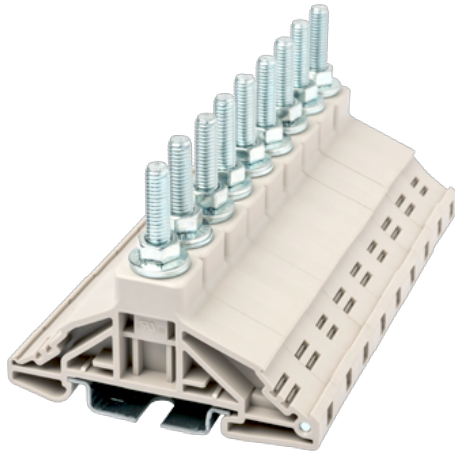


DKM5

DIN Rail Terminal Blocks > Stud Connection

Date:2026-04-05Version:1.2



The web catalog is for reference only. Dinkle remains the right of product modification and engineering change of the design. The final product is made according to engineering drawing.

Product Description

M5, 1000V, 85A, Beige (default)

General information

Short description	DIN Rail terminal blocks, Stud Connection
Category	Feed-Through single level
Color	Beige (default)
Connection method	Stud Connection
Type of locking	Rail Mounting
Length (mm)	67
Width (mm)	13
Height (mm)	54
Level	Single level
Connection points	1

Material information

Insulation material	PA
Insulation material group	I
Flame retardant rating , compliant with UL94	V0
Insulation resistance	□500MΩ at DC 500V

Connection data-IEC

Rated voltage (V)	1000
Rated current (A)	76
Rated voltage (III/3)(V)	1000
Rated impulse voltage (III/3)(KV)	8
Conductor cross section solid. min (mm ²)	0.5
Conductor cross section solid.max (mm ²)	16
Conductor cross section stranded. min (mm ²)	0.5
Conductor cross section stranded. max (mm ²)	16
Screw thread	M5
Recommend tightening torque. min (N.m)	2
Recommend tightening torque. max (N.m)	4
Mounting rail	TS-35
End cover plate required	NO
Grounding connections	NO

Connection data-UL

Rated voltage (UL/CUL Group E)(V)	1000
Rated current (UL/CUL Group E)(A)	85
Min. solid wire connection (AWG) acc. to UL/CUL	16
Max. solid wire connection AWG acc. to UL/CUL	4

Environment & Safety

Back of the hand protection (YES or NO)	NO
Finger protection (YES or NO)	NO
Operating temperature. max (°C)	120
Operating temperature. min (°C)	-40

UL Recognized

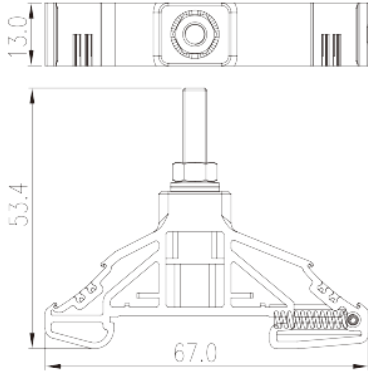
Wire Range (Group E)(AWG)	16~4
Rated voltage (Group E)(V)	1000
Rated current (Group E)(A)	85

CUL Recognized

Wire Range (Group E)(AWG)	16~4
---------------------------	------

Rated voltage (Group E)(V)	1000
Rated current (Group E)(A)	85

Drawings



Approvals

