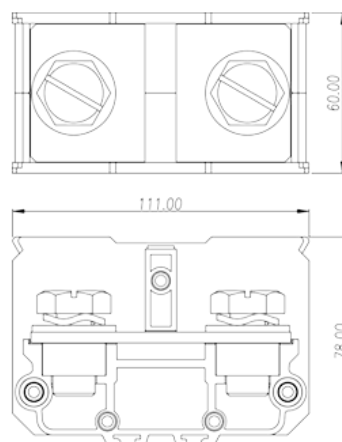
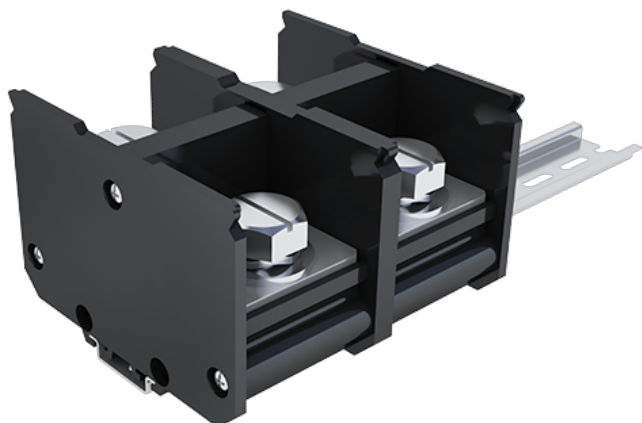


# DKB500

NEMA Terminal Blocks > Rail Mounting

Date:2026-04-06



The web catalog is for reference only. Dinkle remains the right of product modification and engineering change of the design. The final product is made according to engineering drawing.

## Product Description

M16, 1000V, 475/620A

## General information

Short description	Feed-Through single level, Screw Connection
Category	Feed-Through single level
Color	Refer to drawing
Connection method	Screw connection
Type of locking	Rail mounting
Length (mm)	111
Width (mm)	60
Height (mm)	Refer to drawing
Level	Single level
Connection points	2

## Material information

Insulation material	PC
Insulation material group	IIIa
Flame retardant rating , compliant with UL94	V2
Insulation resistance	□1000MΩ at DC 500V

Conductor material	COPPER ALLOY
Plating of conductor surface	Ni PLATED

### Connection data-IEC

Rated voltage (V)	1000
Rated current (A)	520
Rated voltage (III/3)(V)	1000
Rated impulse voltage (III/3)(KV)	8
Screw thread	M16
Slotted screwdriver size (Blade thickness x Width)(mm)	1.6x8
Rated torque (N.m)	10
Stripping Length (mm)	The stripping length depends on the specification provided by the cable lug manufacturer
Mounting rail	TS-35N · TS-35/15N
Grounding connections	NO

### Connection data-UL

Rated voltage (UL/CUL Group C)(V)	1000
Rated current (UL/CUL Group C)(A)	475 (350 ~750 )kcmil 620 2X(250~350)kcmil
Rated voltage (UL/CUL Group E)(V)	1000
Rated current (UL/CUL Group E)(A)	475 (350 ~750 )kcmil 620 2X(250~350)kcmil
Min. solid wire connection (AWG) acc. to UL/CUL	350(kcmil) 2X250(kcmil)
Max. solid wire connection AWG acc. to UL/CUL	750(kcmil) 2X350(kcmil)

### Environment & Safety

Back of the hand protection (YES or NO)	YES
Finger protection (YES or NO)	NO
Operating temperature. max (°C)	125
Operating temperature. min (°C)	-40

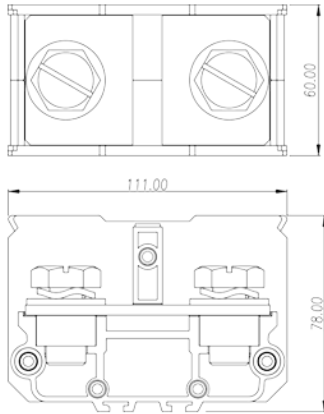
### UL Recognized

Wire Range (Group C)(AWG)	I
Wire Range (Group E)(AWG)	350~750kcmil 2x ( 250~350 ) kcmil
Rated voltage (Group E)(V)	1000
Rated current (Group E)(A)	475 (350 ~750 )kcmil 620 2X(250~350)kcmil

## CUL Recognized

Wire Range (Group C)(AWG)	350~750kcmil 2x ( 250~350 ) kcmil
Rated voltage (Group C)(V)	1000
Rated current (Group C)(A)	475 (350 ~750 )kcmil) 620 2X(250~350)kcmil

## Drawings



## Approvals

