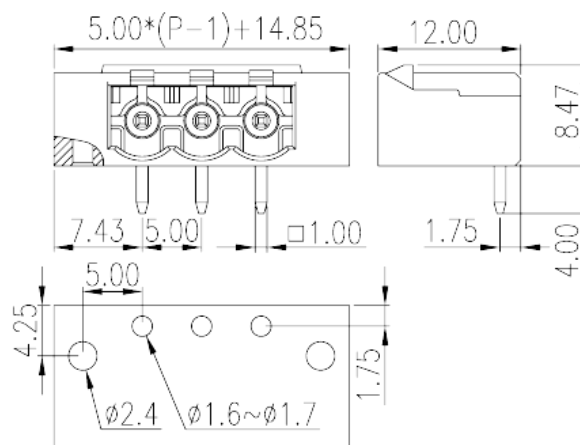
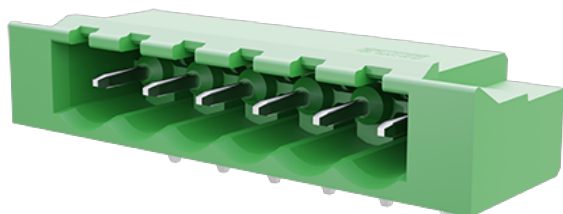


# 5EHDRG-XXP

PCB Terminal Blocks > PCB Connector-Socket

Date:2026-04-11



The web catalog is for reference only. Dinkle remains the right of product modification and engineering change of the design. The final product is made according to engineering drawing.

## Product Description

Pitch :5.00mm, 300V, 15A

## General information

Short description	PCB Connector– Socket, Wave soldering
Category	PCB Connector – Socket
Pitch (mm)	5
Color	Green (default)
Type of locking	With release tool
Soldering method	Wave Soldering
Length (mm)	$5.00 \times (P-1) + 14.85$
Width (mm)	12
Height (mm)	8.470000000000001
Pin demensions (Thickness x Width)(mm)	1x1
PCB hole diameter (mm)	1.6~1.7
Number of positions	02P~24P
Level	Single level
Connection points	2~24

## Material information

Insulation material	PA
Insulation material group	I
Flame retardant rating , compliant with UL94	V0
Insulation resistance	□500MΩ at DC 500V
Conductor material	COPPER ALLOY
Plating of conductor surface	Tin PLATED

## Connection data-IEC

Rated voltage (V)	630
Rated current (A)	18
Rated voltage (II/2)(V)	630
Rated voltage (III/2) (V)	320
Rated voltage (III/3)(V)	320
Rated impulse voltage (II/2)(KV)	4
Rated impulse voltage (III/2)(KV)	4
Rated impulse voltage (III/3)(KV)	4

## Connection data-UL

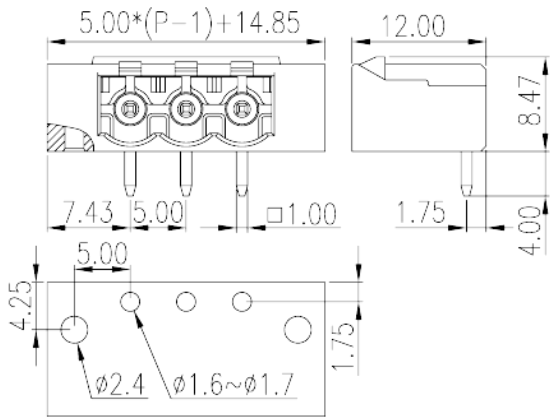
Rated voltage (UL/CUL Group B)(V)	300
Rated current (UL/CUL Group B)(A)	15
Rated voltage (UL/CUL Group D)(V)	300
Rated current (UL/CUL Group D)(A)	10

## Environment & Safety

Finger protection (YES or NO)	YES
Operating temperature. max (°C)	120
Operating temperature. min (°C)	-40

## Drawings

--	--



## Approvals

