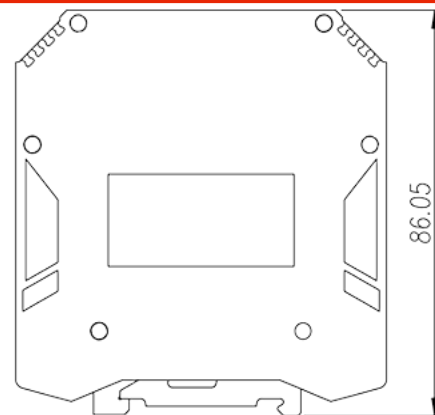
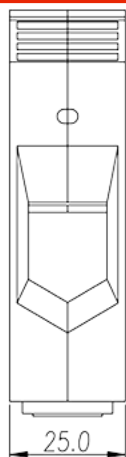
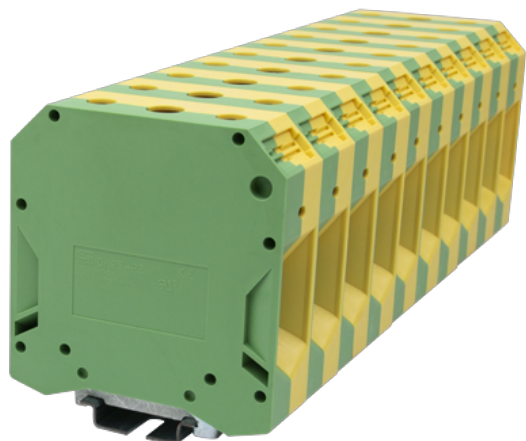


DK95-PE

DIN Rail Terminal Blocks > Screw Connection

Date:2026-04-06Version:1.2



The web catalog is for reference only. Dinkle remains the right of product modification and engineering change of the design. The final product is made according to engineering drawing.

Product Description

M8, 600V, Green-Yellow (default)

General information

Short description	DIN rail terminal blocks, Grounding terminal blocks
Category	Grounding terminal blocks
Color	Green-Yellow (default)
Connection method	Screw connection
Type of locking	Rail mounting
Length (mm)	80
Width (mm)	25
Height (mm)	86.1
Number of positions	□1P
Level	Single level
Connection points	2

Material information

Insulation material	PA
Insulation material group	I
Flame retardant rating , compliant with UL94	V0

Insulation resistance

 $\geq 500M\Omega$ at DC 500V

Connection data-IEC

Rated voltage (III/3)(V)	1000
Rated impulse voltage (II/2)(KV)	8
Rated impulse voltage (III/2)(KV)	8
Rated impulse voltage (III/3)(KV)	8
Conductor cross section solid. min (mm ²)	35
Conductor cross section solid.max (mm ²)	95
Conductor cross section stranded. min (mm ²)	35
Conductor cross section stranded. max (mm ²)	95
Conductor cross section flexible, with min ferrule without plastic sleeve (mm ²)	35
Conductor cross section flexible, with max ferrule without plastic sleeve (mm ²)	95
Conductor cross section flexible, with min ferrule with plastic sleeve (mm ²)	35
Conductor cross section flexible, with max ferrule with plastic sleeve (mm ²)	95
2 conductors with same cross section, solid, max (mm ²)	35
2 conductors with same cross section, stranded, max (mm ²)	35
2 conductors with same cross section flexible, with min ferrule without plastic sleeve (mm ²)	35
2 conductors with same cross section flexible, with max ferrule without plastic sleeve (mm ²)	35
Screw thread	M8
Slotted screwdriver size (Blade thickness x Width)(mm)	Hex socket 6
Philips screwdriver size	Hex socket 6
Rated torque (N.m)	17.9
Stripping Length (mm)	20~25
Mounting rail	TS-35
End cover plate required	NO
Grounding connections	YES

Connection data-UL

Rated voltage (UL/CUL Group B)(V)	600
Rated voltage (UL/CUL Group C)(V)	600

Rated voltage (UL/CUL Group D)(V)	600
Min. solid wire connection (AWG) acc. to UL/CUL	2
Max. solid wire connection AWG acc. to UL/CUL	4/0
Min. stranded wire connection AWG acc. to UL/CUL	2
Max. stranded wire connection AWG acc. to UL/CUL	4/0

Environment & Safety

Back of the hand protection (YES or NO)	YES
Finger protection (YES or NO)	YES
Operating temperature. max (°C)	120
Operating temperature. min (°C)	-40

UL Recognized

Wire Range (Group B)(AWG)	2~4/0
Rated voltage (Group B)(V)	600
Wire Range (Group C)(AWG)	2~4/0
Rated voltage (Group C)(V)	600
Wire Range (Group D)(AWG)	2~4/0
Rated voltage (Group D)(V)	600

CUL Recognized

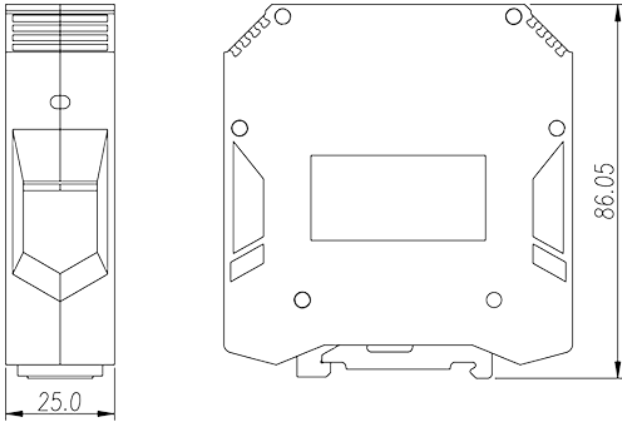
Wire Range (Group B)(AWG)	2~4/0
Rated voltage (Group B)(V)	600
Wire Range (Group C)(AWG)	2~4/0
Rated voltage (Group C)(V)	600
Wire Ranget (Group D)(AWG)	2~4/0
Rated voltage (Group D)(V)	600

VDE Approval

Wire Range (mm ²)	35~95
-------------------------------	-------

Drawings

--	--



Approvals

