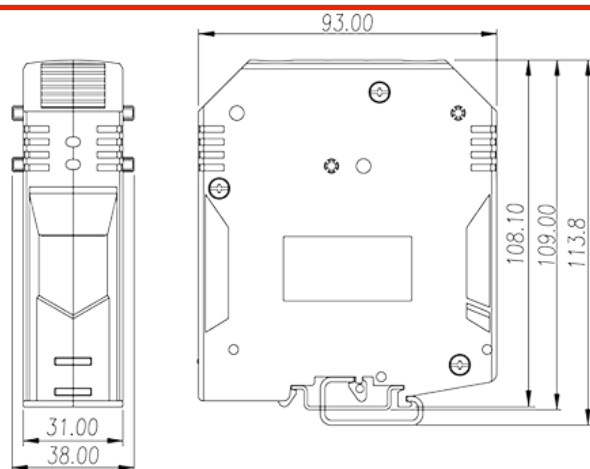
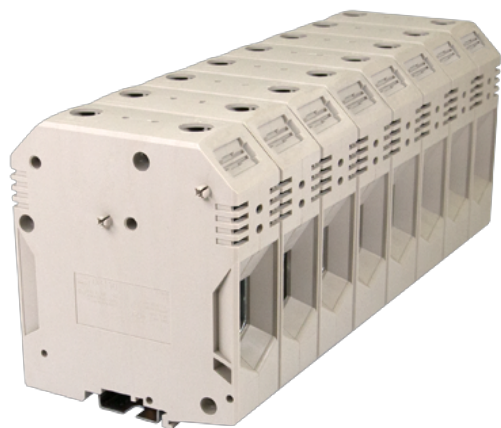


DK150

DIN Rail Terminal Blocks > Screw Connection

Date:2026-04-06Version:1.2



The web catalog is for reference only. Dinkle remains the right of product modification and engineering change of the design. The final product is made according to engineering drawing.

Product Description

M10, 600V, 275A, Beige (default)

General information

Short description	DIN rail terminal blocks, Feed through terminal blocks
Category	Feed through terminal blocks
Color	Beige (default)
Connection method	Screw connection
Type of locking	Rail mounting
Length (mm)	93
Width (mm)	38
Height (mm)	108.1
Number of positions	□1P
Level	Single level
Connection points	2

Material information

Insulation material	PA
Insulation material group	I
Flame retardant rating , compliant with UL94	V0

Insulation resistance

 $\square 500M\Omega$ at DC 500V

Connection data-IEC

Rated voltage (V)	1000
Rated current (A)	309
Rated voltage (III/3)(V)	1000
Rated impulse voltage (III/3)(KV)	8
Conductor cross section solid. min (mm ²)	35
Conductor cross section solid.max (mm ²)	150
Conductor cross section stranded. min (mm ²)	35
Conductor cross section stranded. max (mm ²)	150
Conductor cross section flexible, with min ferrule without plastic sleeve (mm ²)	35
Conductor cross section flexible, with max ferrule without plastic sleeve (mm ²)	150
Screw thread	M10
Philips screwdriver size	#8
Rated torque (N.m)	19
Stripping Length (mm)	35~37
Mounting rail	TS-35
End cover plate required	NO
Grounding connections	NO

Connection data-UL

Rated voltage (UL/CUL Group B)(V)	600
Rated current (UL/CUL Group B)(A)	125A : 2AWG (Sol) 275A : 2AWG(Str) ~300 kcmil 205A : 2x(2~1/0)AWG
Rated voltage (UL/CUL Group C)(V)	600
Rated current (UL/CUL Group C)(A)	125A : 2AWG (Sol) 275A : 2AWG(Str) ~300 kcmil 205A : 2x(2~1/0)AWG
Min. solid wire connection (AWG) acc. to UL/CUL	2
Max. solid wire connection AWG acc. to UL/CUL	300 kcmil
Min. stranded wire connection AWG acc. to UL/CUL	2
Max. stranded wire connection AWG acc. to UL/CUL	300 kcmil

Environment & Safety

Back of the hand protection (YES or NO)	YES
---	-----

Finger protection (YES or NO)	NO
Operating temperature. max (°C)	120
Operating temperature. min (°C)	-40

UL Recognized

Wire Range (Group B)(AWG)	2~300 kcmil
Rated voltage (Group B)(V)	600
Rated current (Group B)(A)	125A : 2AWG (Sol) 275A : 2AWG(Str) ~300 kcmil 205A : 2x(2~1/0)AWG
Wire Range (Group C)(AWG)	2~300 kcmil
Rated voltage (Group C)(V)	600
Rated current (Group C)(A)	125A : 2AWG (Sol) 275A : 2AWG(Str) ~300 kcmil 205A : 2x(2~1/0)AWG

CUL Recognized

Wire Range (Group B)(AWG)	2~300 kcmil
Rated voltage (Group B)(V)	600
Rated current (Group B)(A)	125A : 2AWG (Sol) 275A : 2AWG(Str) ~300 kcmil 205A : 2x(2~1/0)AWG
Wire Range (Group C)(AWG)	2~300 kcmil
Rated voltage (Group C)(V)	600
Rated current (Group C)(A)	125A : 2AWG (Sol) 275A : 2AWG(Str) ~300 kcmil 205A : 2x(2~1/0)AWG

VDE Approval

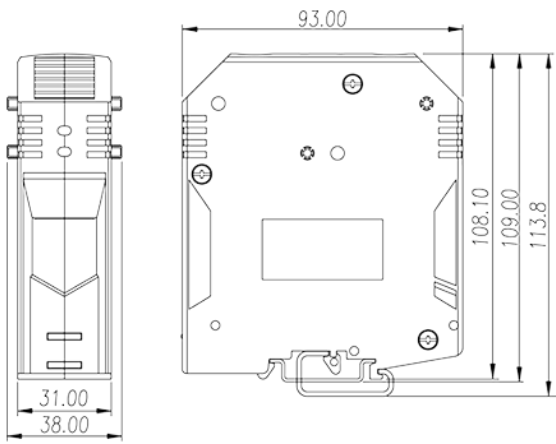
Wire Range (mm ²)	35~150
Rated voltage (V)	1000
Rated current (A)	309

Explosion - proof Approvals

Wire Range (mm ²)	35~150
Rated voltage (V)	1000
Rated current (A)	309

Drawings

--	--



Approvals

