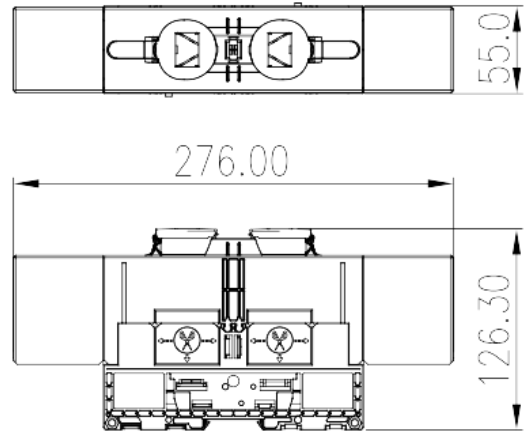


DKM185-U

DIN Rail Terminal Blocks > Stud Connection

Date:2026-04-06



The web catalog is for reference only. Dinkle remains the right of product modification and engineering change of the design. The final product is made according to engineering drawing.

Product Description

M12, 1500V, 400A, Beige (default)

General information

Short description	Feed-through Single Level, Stud Connection
Category	Feed-through Single Level
Color	Refer to drawing
Connection method	Stud Connection
Length (mm)	276
Width (mm)	55
Height (mm)	126.3
Level	Single level
Connection points	2

Material information

Insulation material	PA
Insulation material group	I
Flame retardant rating , compliant with UL94	V0
Insulation resistance	□500MΩ at DC 500V

Connection data-IEC

Rated voltage (V)	1500
Rated current (A)	353
Rated voltage (III/3)(V)	1500
Rated impulse voltage (III/3)(KV)	8
Conductor cross section solid. min (mm ²)	10
Conductor cross section solid.max (mm ²)	185
Conductor cross section stranded. min (mm ²)	10
Conductor cross section stranded. max (mm ²)	185
Screw thread	M12
Philips screwdriver size	18X10, 18X12.5
Recommend tightening torque. min (N.m)	14
Recommend tightening torque. max (N.m)	31
Stripping Length (mm)	The stripping length depends on the specification provided by the cable lug manufacturer
Mounting rail	TS-35
End cover plate required	NO
Grounding connections	NO

Connection data-UL

Rated voltage (UL/CUL Group E)(V)	1500
Rated current (UL/CUL Group E)(A)	*Single-Cable 310A / Double-Cable 400A
Min. solid wire connection (AWG) acc. to UL/CUL	8
Max. solid wire connection AWG acc. to UL/CUL	350 (kcmil)
Min. stranded wire connection AWG acc. to UL/CUL	8
Max. stranded wire connection AWG acc. to UL/CUL	350 (kcmil)

Environment & Safety

Back of the hand protection (YES or NO)	YES
Finger protection (YES or NO)	NO
Operating temperature. max (°C)	120
Operating temperature. min (°C)	-40

UL Recognized

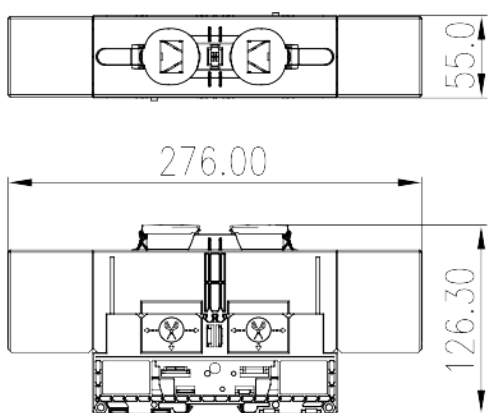
Wire Range (Group E)(AWG)	8~350 (kcmil)
---------------------------	---------------

Rated voltage (Group E)(V)	1500
Rated current (Group E)(A)	*Single-Cable 310A / Double-Cable 400A

CUL Recognized

Wire Range (Group E)(AWG)	8~350 (kcmil)
Rated voltage (Group E)(V)	1500
Rated current (Group E)(A)	*Single-Cable 310A / Double-Cable 400A

Drawings



Approvals

