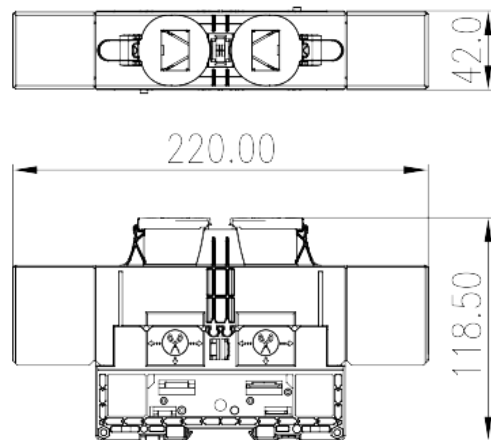


# DKM150-U

DIN Rail Terminal Blocks > Stud Connection

Date:2026-04-06



The web catalog is for reference only. Dinkle remains the right of product modification and engineering change of the design. The final product is made according to engineering drawing.

## Product Description

M10, 1500V, 350A, Beige (default)

## General information

|                   |  |
|-------------------|--|
| Short description | Feed-through Single Level, Stud Connection |
| Category          | Feed-through Single Level                  |
| Color             | Refer to drawing                           |
| Connection method | Stud Connection                            |
| Length (mm)       | 220  |
| Width (mm)        | 42   |
| Height (mm)       | 118.5                                      |
| Level             | Single level                               |
| Connection points | 2  |

## Material information

|  |                   |
|--|-------------------|
| Insulation material                          | PA                |
| Insulation material group                    | I                 |
| Flame retardant rating , compliant with UL94 | V0                |
| Insulation resistance                        | □500MΩ at DC 500V |

## Connection data-IEC

|  |  |
|--|--|
| Rated voltage (V)  | 1500   |
| Rated current (A)  | 309  |
| Rated voltage (III/3)(V)                                 | 1500   |
| Rated impulse voltage (III/3)(KV)                        | 8  |
| Conductor cross section solid. min (mm <sup>2</sup> )    | 10   |
| Conductor cross section solid.max (mm <sup>2</sup> )     | 150  |
| Conductor cross section stranded. min (mm <sup>2</sup> ) | 10   |
| Conductor cross section stranded. max (mm <sup>2</sup> ) | 150  |
| Screw thread   | M10  |
| Philips screwdriver size                                 | 15X10, 15X12.5   |
| Recommend tightening torque. min (N.m)                   | 10   |
| Recommend tightening torque. max (N.m)                   | 20   |
| Stripping Length (mm)                                    | The stripping length depends on the specification provided by the cable lug manufacturer |
| Mounting rail  | TS-35  |
| End cover plate required                                 | NO   |
| Grounding connections                                    | NO   |

## Connection data-UL

|  |  |
|--|--|
| Rated voltage (UL/CUL Group E)(V)                | 1500                                   |
| Rated current (UL/CUL Group E)(A)                | *Single-Cable 285A / Double-Cable 350A |
| Min. solid wire connection (AWG) acc. to UL/CUL  | 10                                     |
| Max. solid wire connection AWG acc. to UL/CUL    | 300 (kcmil)                            |
| Min. stranded wire connection AWG acc. to UL/CUL | 10                                     |
| Max. stranded wire connection AWG acc. to UL/CUL | 300 (kcmil)                            |

## Environment & Safety

|   |     |
|---|-----|
| Back of the hand protection (YES or NO) | YES |
| Finger protection (YES or NO)           | NO  |
| Operating temperature. max (°C)         | 120 |
| Operating temperature. min (°C)         | -40 |

## UL Recognized

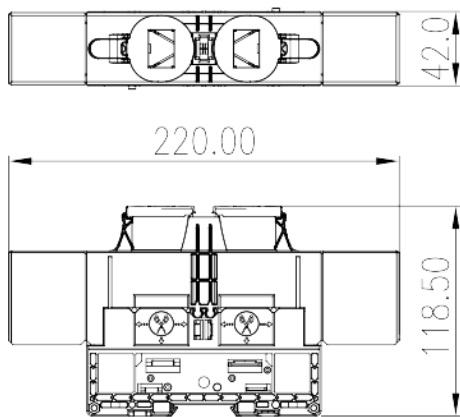
|                           |                |
|---------------------------|----------------|
| Wire Range (Group E)(AWG) | 10~300 (kcmil) |
|---------------------------|----------------|

|                            |  |
|----------------------------|--|
| Rated voltage (Group E)(V) | 1500                                   |
| Rated current (Group E)(A) | *Single-Cable 285A / Double-Cable 350A |

### CUL Recognized

|                            |  |
|----------------------------|--|
| Wire Range (Group E)(AWG)  | 10~300 (kcmil)                         |
| Rated voltage (Group E)(V) | 1500                                   |
| Rated current (Group E)(A) | *Single-Cable 285A / Double-Cable 350A |

### Drawings



### Approvals

