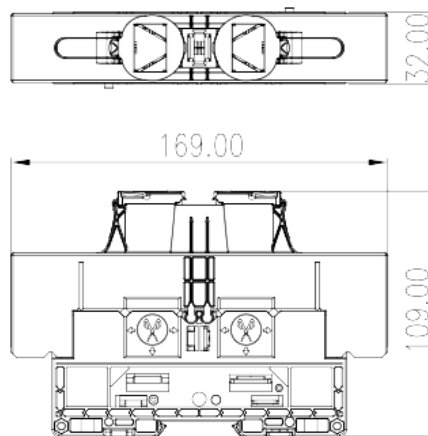


DKM70-U

DIN Rail Terminal Blocks > Stud Connection

Date:2026-04-06



The web catalog is for reference only. Dinkle remains the right of product modification and engineering change of the design. The final product is made according to engineering drawing.

Product Description

M8, 1500V, 230A, Beige (default)

General information

| | |
|-------------------|--|
| Short description | Feed-through Single Level, Stud Connection |
| Category | Feed-through Single Level |
| Pitch (mm) | 32 |
| Color | Refer to drawing |
| Connection method | Stud Connection |
| Length (mm) | 132 |
| Width (mm) | 32 |
| Height (mm) | 109 |
| Level | Single level |
| Connection points | 2 |

Material information

| | |
|--|-------------------|
| Insulation material | PA |
| Insulation material group | I |
| Flame retardant rating , compliant with UL94 | V0 |
| Insulation resistance | □500MΩ at DC 500V |

Connection data-IEC

| | |
|--|--|
| Rated voltage (V) | 1500 |
| Rated current (A) | 192 |
| Rated voltage (III/3)(V) | 1500 |
| Rated impulse voltage (III/3)(KV) | 8 |
| Conductor cross section solid. min (mm ²) | 2.5 |
| Conductor cross section solid.max (mm ²) | 70 |
| Conductor cross section stranded. min (mm ²) | 2.5 |
| Conductor cross section stranded. max (mm ²) | 70 |
| Screw thread | M8 |
| Philips screwdriver size | 13X6.3 |
| Recommend tightening torque. min (N.m) | 6 |
| Recommend tightening torque. max (N.m) | 12 |
| Stripping Length (mm) | The stripping length depends on the specification provided by the cable lug manufacturer |
| Mounting rail | TS-35 |
| End cover plate required | NO |
| Grounding connections | NO |

Connection data-UL

| | |
|--|---|
| Rated voltage (UL/CUL Group E)(V) | 1500 |
| Rated current (UL/CUL Group E)(A) | *Single -Cable 175A / Double-Cable 230A |
| Min. solid wire connection (AWG) acc. to UL/CUL | 14 |
| Max. solid wire connection AWG acc. to UL/CUL | 2/0 |
| Min. stranded wire connection AWG acc. to UL/CUL | 14 |
| Max. stranded wire connection AWG acc. to UL/CUL | 2/0 |

Environment & Safety

| | |
|---|-----|
| Back of the hand protection (YES or NO) | YES |
| Finger protection (YES or NO) | NO |
| Operating temperature. max (°C) | 120 |
| Operating temperature. min (°C) | -40 |

UL Recognized

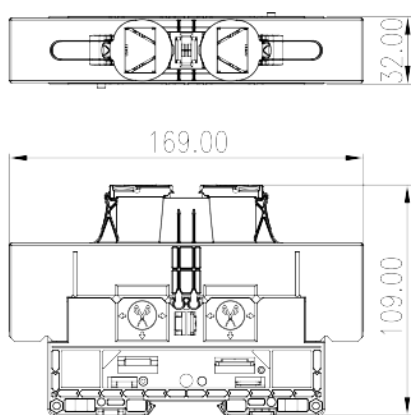
| | |
|---------------------------|--------|
| Wire Range (Group E)(AWG) | 14~2/0 |
|---------------------------|--------|

| | |
|----------------------------|---|
| Rated voltage (Group E)(V) | 1500 |
| Rated current (Group E)(A) | *Single -Cable 175A / Double-Cable 230A |

CUL Recognized

| | |
|----------------------------|---|
| Wire Range (Group E)(AWG) | 14~2/0 |
| Rated voltage (Group E)(V) | 1500 |
| Rated current (Group E)(A) | *Single -Cable 175A / Double-Cable 230A |

Drawings



Approvals

