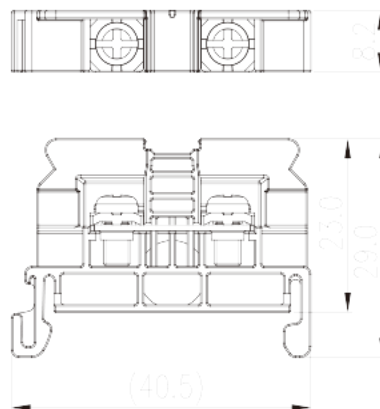
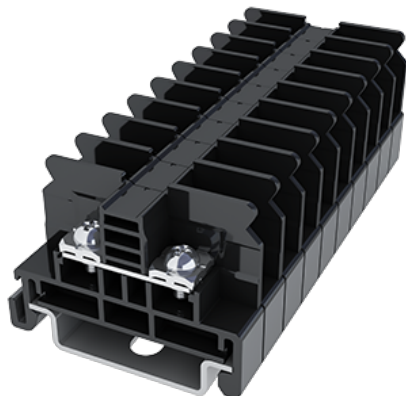


# DKB20N

NEMA Terminal Blocks > Rail Mounting

Date:2026-04-06



The web catalog is for reference only. Dinkle remains the right of product modification and engineering change of the design. The final product is made according to engineering drawing.

## Product Description

M3.5, 600V, 20/30A

## General information

Short description	DIN Rail terminal blocks, Screw connection
Category	Rail mounting terminal blocks
Color	Black (default)
Connection method	Screw connection
Type of locking	Rail mounting
Length (mm)	40.5
Width (mm)	8.2
Height (mm)	29
Level	Single level
Connection points	2

## Material information

Insulation material	PC
Insulation material group	IIIa
Flame retardant rating , compliant with UL94	V2
Insulation resistance	□1000MΩ at DC 500V

Conductor material	Copper Alloy
Plating of conductor surface	Tin PLATED

## Connection data-IEC

Rated voltage (V)	630
Rated current (A)	24
Rated voltage (III/3)(V)	630
Rated impulse voltage (II/2)(KV)	8
Rated impulse voltage (III/2)(KV)	8
Rated impulse voltage (III/3)(KV)	8
Conductor cross section solid. min (mm <sup>2</sup> )	0.2
Conductor cross section solid.max (mm <sup>2</sup> )	2.5
Conductor cross section stranded. min (mm <sup>2</sup> )	0.2
Conductor cross section stranded. max (mm <sup>2</sup> )	2.5
2 conductors with same cross section, solid, max (mm <sup>2</sup> )	2.5
2 conductors with same cross section, stranded, max (mm <sup>2</sup> )	2.5
Screw thread	M3.5
Philips screwdriver size	PH2
Rated torque (N.m)	0.8~1
Recommend tightening torque. min (N.m)	0.8
Recommend tightening torque. max (N.m)	1
Stripping Length (mm)	9~10 The stripping length depends on the specification provided by the cable lug manufacturer.
Mounting rail	TS-35N · TS-35/15N
End cover plate required	YES
Grounding connections	NO

## Connection data-UL

Rated voltage (UL/CUL Group B)(V)	600
Rated current (UL/CUL Group B)(A)	20
Rated voltage (UL/CUL Group C)(V)	600
Rated current (UL/CUL Group C)(A)	20
Rated voltage (UL/CUL Group D)(V)	600
Rated current (UL/CUL Group D)(A)	20
Min. solid wire connection (AWG) acc. to UL/CUL	26

Max. solid wire connection AWG acc. to UL/CUL	12
Min. stranded wire connection AWG acc. to UL/CUL	26
Max. stranded wire connection AWG acc. to UL/CUL	12

## Environment & Safety

Back of the hand protection (YES or NO)	YES
Finger protection (YES or NO)	NO
Operating temperature. max (°C)	125
Operating temperature. min (°C)	-40

## UL Recognized

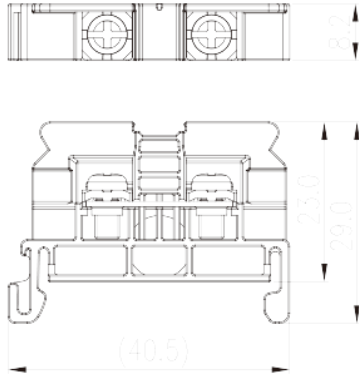
Wire Range (Group B)(AWG)	26-12/(2)26-(2)14
Rated voltage (Group B)(V)	600
Rated current (Group B)(A)	20/30
Wire Range (Group C)(AWG)	26-12/(2)26-(2)14
Rated voltage (Group C)(V)	600
Rated current (Group C)(A)	20/30
Wire Range (Group D)(AWG)	26-12/(2)26-(2)14
Rated voltage (Group D)(V)	600
Rated current (Group D)(A)	5

## CUL Recognized

Wire Range (Group B)(AWG)	26-12/(2)26-(2)14
Rated voltage (Group B)(V)	600
Rated current (Group B)(A)	20/30
Wire Range (Group C)(AWG)	26-12/(2)26-(2)14
Rated voltage (Group C)(V)	600
Rated current (Group C)(A)	20/30
Wire Ranget (Group D)(AWG)	26-12/(2)26-(2)14
Rated voltage (Group D)(V)	600
Rated current (Group D)(A)	5

## Drawings

--	--



## Approvals

