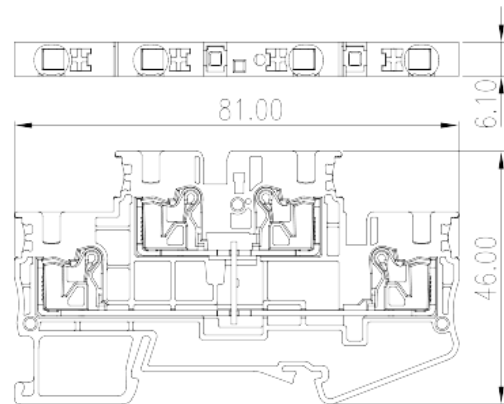
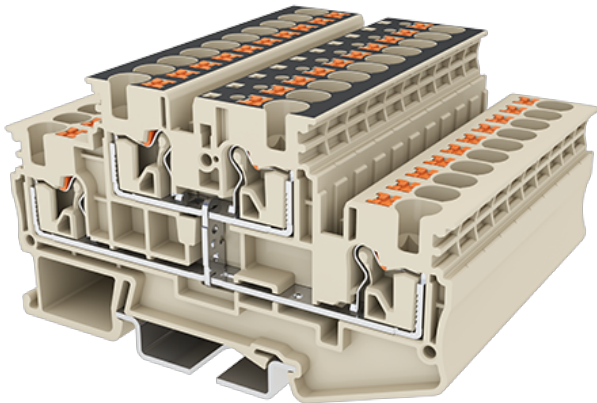


# DPP4N-PV

DIN Rail Terminal Blocks &gt; Push-in Design

Date:2026-04-06



The web catalog is for reference only. Dinkle remains the right of product modification and engineering change of the design. The final product is made according to engineering drawing.

## Product Description

300V, 30A, Beige (default)

## General information

|                     |  |
|---------------------|--|
| Short description   | Bi-level Feed-Through Terminal Block, Push-in Design |
| Category            | Bi level Feed Through Terminal Blocks                |
| Color               | Beige (default)                                      |
| Connection method   | Push-in Design                                       |
| Type of locking     | Rail Mounting  |
| Length (mm)         | 81   |
| Width (mm)          | 6.1  |
| Height (mm)         | 46   |
| Number of positions | ≥1P  |
| Level               | Double level   |
| Connection points   | 4  |

## Material information

|  |    |
|--|----|
| Insulation material                          | PA |
| Insulation material group                    | I  |
| Flame retardant rating , compliant with UL94 | V0 |

Insulation resistance

□500MΩ at DC 500V

## Connection data-IEC

|   |                  |
|---|------------------|
| Rated voltage (V)   | 500              |
| Rated current (A)   | 28               |
| Rated voltage (III/3)(V)  | 500              |
| Rated impulse voltage (III/3)(KV)   | 6                |
| Conductor cross section solid. min (mm <sup>2</sup> )   | 0.2              |
| Conductor cross section solid.max (mm <sup>2</sup> )  | 6                |
| Conductor cross section stranded. min (mm <sup>2</sup> )  | 0.2              |
| Conductor cross section stranded. max (mm <sup>2</sup> )  | 4                |
| Conductor cross section flexible, with min ferrule without plastic sleeve (mm <sup>2</sup> )            | 0.25             |
| Conductor cross section flexible, with max ferrule without plastic sleeve (mm <sup>2</sup> )            | 4                |
| Conductor cross section flexible, with min ferrule with plastic sleeve (mm <sup>2</sup> )               | 0.25             |
| Conductor cross section flexible, with max ferrule with plastic sleeve (mm <sup>2</sup> )               | 4                |
| 2 conductors with same cross section flexible, min twin ferrules with plastic sleeve (mm <sup>2</sup> ) | 0.5              |
| 2 conductors with same cross section flexible, max twin ferrules with plastic sleeve (mm <sup>2</sup> ) | 1                |
| Slotted screwdriver size (Blade thickness x Width)(mm)  | 0.8x4            |
| Stripping Length (mm)   | 12               |
| Mounting rail   | TS-35 · TS-35/15 |
| End cover plate required  | YES              |
| Grounding connections   | NO               |

## Connection data-UL

|   |     |
|---|-----|
| Rated voltage (UL/CUL Group B)(V)               | 300 |
| Rated current (UL/CUL Group B)(A)               | 30  |
| Rated voltage (UL/CUL Group C)(V)               | 300 |
| Rated current (UL/CUL Group C)(A)               | 30  |
| Rated voltage (UL/CUL Group D)(V)               | 600 |
| Rated current (UL/CUL Group D)(A)               | 5   |
| Min. solid wire connection (AWG) acc. to UL/CUL | 24  |
| Max. solid wire connection AWG acc. to UL/CUL   | 10  |

|  |    |
|--|----|
| Min. stranded wire connection AWG acc. to UL/CUL | 24 |
| Max. stranded wire connection AWG acc. to UL/CUL | 10 |

## Environment & Safety

|   |     |
|---|-----|
| Back of the hand protection (YES or NO) | YES |
| Finger protection (YES or NO)           | YES |
| Operating temperature. max (°C)         | 120 |
| Operating temperature. min (°C)         | -40 |

## UL Recognized

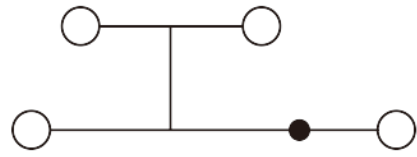
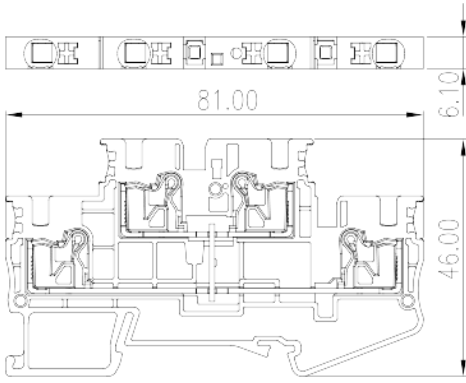
|                            |       |
|----------------------------|-------|
| Wire Range (Group B)(AWG)  | 24~10 |
| Rated voltage (Group B)(V) | 300   |
| Rated current (Group B)(A) | 30    |
| Wire Range (Group C)(AWG)  | 24~10 |
| Rated voltage (Group C)(V) | 300   |
| Rated current (Group C)(A) | 30    |

## CUL Recognized

|                            |       |
|----------------------------|-------|
| Wire Range (Group B)(AWG)  | 24~10 |
| Rated voltage (Group B)(V) | 300   |
| Rated current (Group B)(A) | 30    |
| Wire Range (Group C)(AWG)  | 24~10 |
| Rated voltage (Group C)(V) | 300   |
| Rated current (Group C)(A) | 30    |

## Drawings

|  |  |
|--|--|
|  |  |
|--|--|



## Approvals

