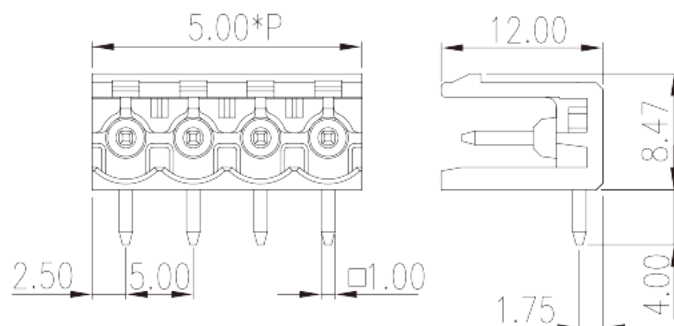


# 5EHDR-XXPWR

PCB Terminal Blocks &gt; In tape-on-reel packing

Date:2026-04-06Version:V1



The web catalog is for reference only. Dinkle remains the right of product modification and engineering change of the design. The final product is made according to engineering drawing.

## Product Description

Pitch: 5.00 mm, 300V, 15A

## General information

|  |  |
|--|--|
| Short description                      | PCB Connector – Socket, Wave soldering |
| Category                               | PCB Connector – Socket                 |
| Pitch (mm)                             | 5                                      |
| Color                                  | Black (default)                        |
| Type of locking                        | Without                                |
| Soldering method                       | Wave soldering                         |
| Length (mm)                            | 5.00*P                                 |
| Width (mm)                             | 12                                     |
| Height (mm)                            | 8.47                                   |
| Pin demensions (Thickness x Width)(mm) | 1.0x1.0                                |
| PCB hole diameter (mm)                 | 1.6~1.7                                |
| Number of positions                    | 02P~24P                                |
| Level                                  | Single level                           |

## Material information

|                     |    |
|---------------------|----|
| Insulation material | PA |
|---------------------|----|

|  |                   |
|--|-------------------|
| Insulation material group                    | I                 |
| Flame retardant rating , compliant with UL94 | V0                |
| Insulation resistance                        | □500MΩ at DC 500V |
| Conductor material                           | COPPER ALLOY      |
| Plating of conductor surface                 | Tin PLATED        |

### Connection data-IEC

|                                   |     |
|-----------------------------------|-----|
| Rated voltage (V)                 | 600 |
| Rated current (A)                 | 18  |
| Rated voltage (II/2)(V)           | 600 |
| Rated voltage (III/2) (V)         | 320 |
| Rated voltage (III/3)(V)          | 250 |
| Rated impulse voltage (II/2)(KV)  | 4   |
| Rated impulse voltage (III/2)(KV) | 4   |
| Rated impulse voltage (III/3)(KV) | 4   |

### Connection data-UL

|                                   |     |
|-----------------------------------|-----|
| Rated voltage (UL/CUL Group B)(V) | 300 |
| Rated current (UL/CUL Group B)(A) | 15  |
| Rated voltage (UL/CUL Group D)(V) | 300 |
| Rated current (UL/CUL Group D)(A) | 10  |

### Environment & Safety

|                                 |     |
|---------------------------------|-----|
| Finger protection (YES or NO)   | YES |
| Operating temperature. max (°C) | 120 |
| Operating temperature. min (°C) | -40 |

### UL Recognized

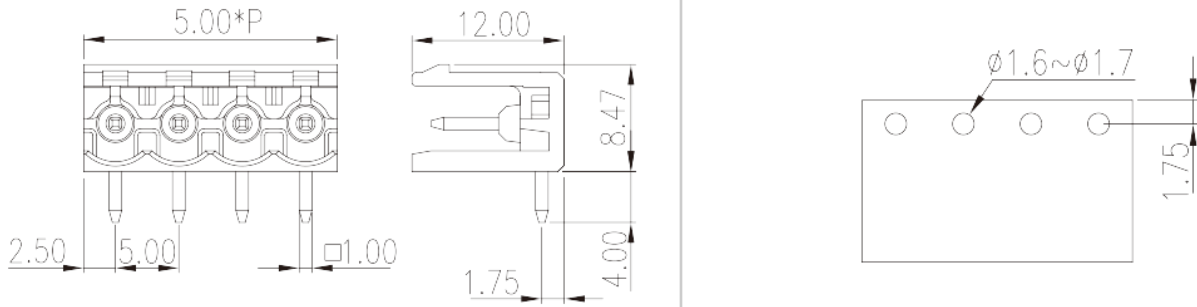
|                            |     |
|----------------------------|-----|
| Rated voltage (Group B)(V) | 300 |
| Rated current (Group B)(A) | 15  |
| Rated voltage (Group D)(V) | 300 |
| Rated current (Group D)(A) | 10  |

### CUL Recognized

|                            |     |
|----------------------------|-----|
| Rated voltage (Group B)(V) | 300 |
|----------------------------|-----|

|                            |     |
|----------------------------|-----|
| Rated current (Group B)(A) | 15  |
| Rated voltage (Group D)(V) | 300 |
| Rated current (Group D)(A) | 10  |

## Drawings



## Approvals

