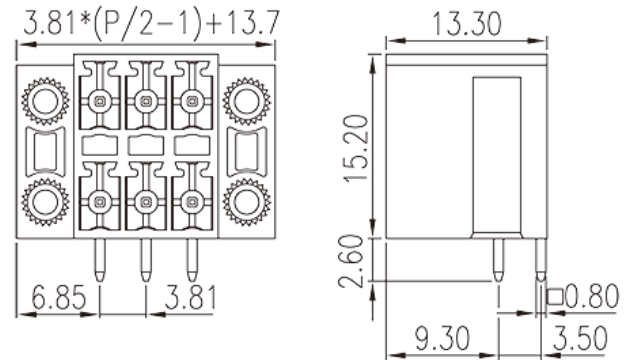


# 0221-51XXL

PCB Terminal Blocks &gt; PCB Connector-Socket

Date:2026-04-06Version:V1



The web catalog is for reference only. Dinkle remains the right of product modification and engineering change of the design. The final product is made according to engineering drawing.

## Product Description

Pitch : 3.81 mm, 300V, 8A

## General information

|  |   |
|--|---|
| Short description                      | PCB Connector-Socket, Reflow soldering  |
| Category                               | PCB Connector-Socket  |
| Pitch (mm)                             | 3.81  |
| Color                                  | Black (default)   |
| Type of locking                        | Without   |
| Soldering method                       | Reflow Soldering (Temperature condition according to standard IPC/JEDEC J-STD-020E) |
| Length (mm)                            | $3.81*(P/2-1)+13.7$   |
| Width (mm)                             | 13.3  |
| Height (mm)                            | 15.2  |
| Pin demensions (Thickness x Width)(mm) | 0.8x0.8   |
| PCB hole diameter (mm)                 | 1.3~1.4   |
| Number of positions                    | 04P~48P   |
| Level                                  | Double level  |

## Material information

|  |                           |
|--|---------------------------|
| Insulation material                          | HIGH-TEMPERATURE PLASTICS |
| Insulation material group                    | I                         |
| Flame retardant rating , compliant with UL94 | V0                        |
| Insulation resistance                        | □500MΩ at DC 500V         |
| Conductor material                           | COPPER ALLOY              |
| Plating of conductor surface                 | Tin PLATED                |
| MSL  | 2                         |

### Connection data-IEC

|  |     |
|--|-----|
| Rated voltage (V)                        | 320 |
| Rated current (A)                        | 8   |
| Rated voltage (II/2)(V)                  | 320 |
| Rated voltage (III/2) (V)                | 160 |
| Rated voltage (III/3)(V)                 | 160 |
| Rated impulse voltage (II/2)(KV)         | 2.5 |
| Rated impulse voltage (III/2)(KV)        | 2.5 |
| Rated impulse voltage (III/3)(KV)        | 2.5 |
| Tightening torque with flange. max (N.m) | 0.3 |

### Connection data-UL

|                                   |     |
|-----------------------------------|-----|
| Rated voltage (UL/CUL Group B)(V) | 300 |
| Rated current (UL/CUL Group B)(A) | 8   |

### Environment & Safety

|                                 |     |
|---------------------------------|-----|
| Finger protection (YES or NO)   | YES |
| Operating temperature. max (°C) | 120 |
| Operating temperature. min (°C) | -40 |

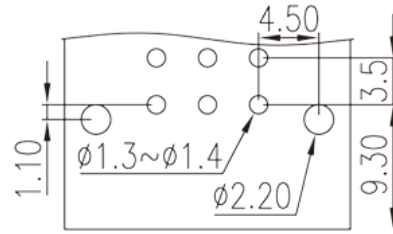
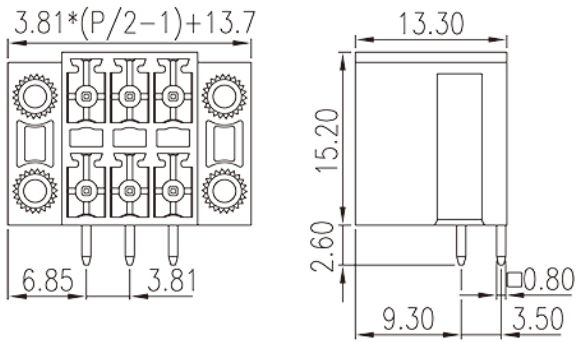
### UL Recognized

|                            |     |
|----------------------------|-----|
| Rated voltage (Group B)(V) | 300 |
| Rated current (Group B)(A) | 8   |

### CUL Recognized

|                            |     |
|----------------------------|-----|
| Rated voltage (Group B)(V) | 300 |
| Rated current (Group B)(A) | 8   |

## Drawings



## Approvals

