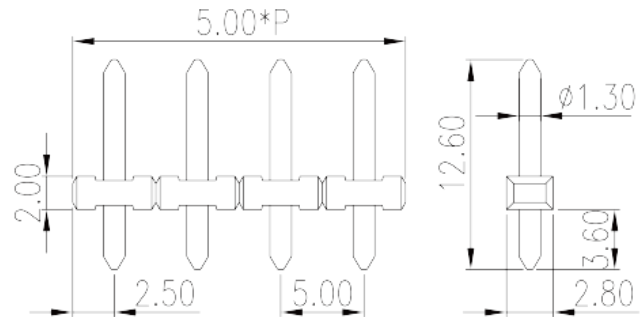
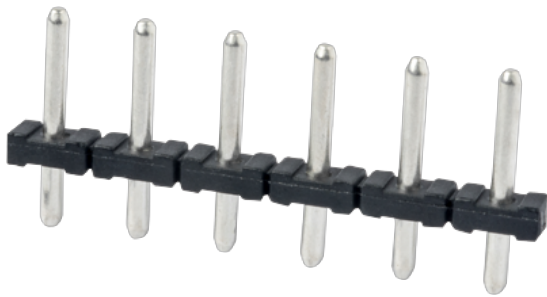


# EDH130F- XXTH126

PCB Terminal Blocks &gt; PCB Connector-Socket

Date:2026-04-06Version:V1



The web catalog is for reference only. Dinkle remains the right of product modification and engineering change of the design. The final product is made according to engineering drawing.

## Product Description

Pitch : 5.00 mm, 300V, 7A

## General information

|  |   |
|--|---|
| Short description                      | PCB Connector – Socket, Reflow soldering  |
| Category                               | PCB Connector – Socket  |
| Pitch (mm)                             | 5.00  |
| Color                                  | Black (default)   |
| Type of locking                        | Without   |
| Soldering method                       | Reflow Soldering (Temperature condition according to standard IPC/JEDEC J-STD-020E) |
| Length (mm)                            | $5.00*(P-1)+5.0$  |
| Width (mm)                             | 2.8   |
| Height (mm)                            | 12.6  |
| Pin demensions (Thickness x Width)(mm) | 1.3   |
| PCB hole diameter (mm)                 | 2   |
| Number of positions                    | 02P~20P   |
| Level                                  | Single level  |

## Material information

|  |                           |
|--|---------------------------|
| Insulation material                          | HIGH-TEMPERATURE PLASTICS |
| Insulation material group                    | IIIa                      |
| Flame retardant rating , compliant with UL94 | V0                        |
| Insulation resistance                        | □500MΩ at DC 500V         |
| Conductor material                           | COPPER ALLOY              |
| Plating of conductor surface                 | Tin PLATED                |
| MSL  | 4                         |

## Connection data-IEC

|                                   |     |
|-----------------------------------|-----|
| Rated voltage (V)                 | 320 |
| Rated current (A)                 | 8   |
| Rated voltage (II/2)(V)           | 320 |
| Rated voltage (III/2) (V)         | 320 |
| Rated voltage (III/3)(V)          | 200 |
| Rated impulse voltage (II/2)(KV)  | 4   |
| Rated impulse voltage (III/2)(KV) | 4   |
| Rated impulse voltage (III/3)(KV) | 4   |

## Connection data-UL

|                                   |     |
|-----------------------------------|-----|
| Rated voltage (UL/CUL Group B)(V) | 300 |
| Rated current (UL/CUL Group B)(A) | 7   |
| Rated voltage (UL/CUL Group D)(V) | 300 |
| Rated current (UL/CUL Group D)(A) | 7   |

## Environment & Safety

|                                 |     |
|---------------------------------|-----|
| Finger protection (YES or NO)   | NO  |
| Operating temperature. max (°C) | 120 |
| Operating temperature. min (°C) | -40 |

## UL Recognized

|                            |     |
|----------------------------|-----|
| Rated voltage (Group B)(V) | 300 |
| Rated current (Group B)(A) | 7   |
| Rated voltage (Group D)(V) | 300 |

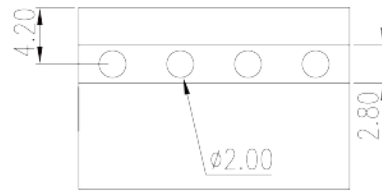
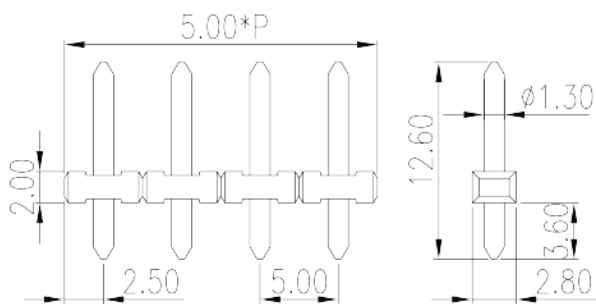
Rated current (Group D)(A)

7

### CUL Recognized

|                            |     |
|----------------------------|-----|
| Rated voltage (Group B)(V) | 300 |
| Rated current (Group B)(A) | 7   |
| Rated voltage (Group D)(V) | 300 |
| Rated current (Group D)(A) | 7   |

### Drawings



### Approvals

