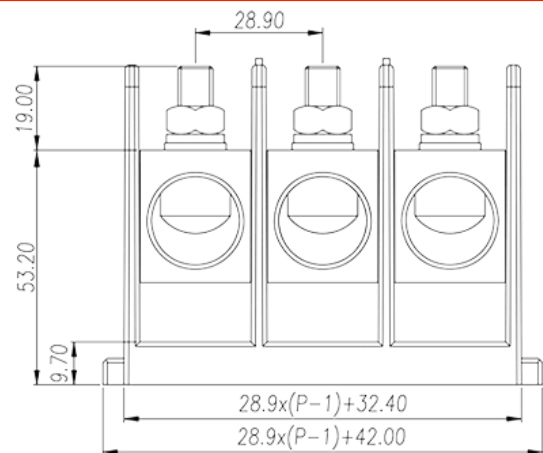


0220-13XX

NEMA Terminal Blocks > Panel Mounting

Date:2026-04-06



The web catalog is for reference only. Dinkle remains the right of product modification and engineering change of the design. The final product is made according to engineering drawing.

Product Description

Pitch : 28.90mm, 1000V, 310A

General information

Short description	Barrier terminals blocks, Panel Mounting
Category	Panel Mounting
Pitch (mm)	28.90
Color	Black (default)
Connection method	Screw connection
Type of locking	Panel mounting
Length (mm)	$28.9 \times (P-1) + 42.00$
Width (mm)	104.6
Height (mm)	74

Material information

Insulation material	PBT
Insulation material group	IIIa
Flame retardant rating , compliant with UL94	V0
Conductor material	Copper Alloy
Plating of conductor surface	Ni Plated

Connection data-IEC

Rated voltage (V)	1000
Rated current (A)	275
Rated voltage (II/2)(V)	1000
Rated voltage (III/2) (V)	1000
Rated voltage (III/3)(V)	1000
Rated impulse voltage (II/2)(KV)	8
Rated impulse voltage (III/2)(KV)	8
Rated impulse voltage (III/3)(KV)	8
Conductor cross section solid. min (mm ²)	50
Conductor cross section solid.max (mm ²)	185
Conductor cross section stranded. min (mm ²)	50
Conductor cross section stranded. max (mm ²)	185
Screw thread	M8
Slotted screwdriver size (Blade thickness x Width)(mm)	1.0x5.5
Philips screwdriver size	PH3
Rated torque (N.m)	Front : 40N·mBack : 13.9N·m
Recommend tightening torque. min (N.m)	3.5
Recommend tightening torque. max (N.m)	4.2
Stripping Length (mm)	25~26mm

Connection data-UL

Rated voltage (UL/CUL Group C)(V)	1000
Rated current (UL/CUL Group C)(A)	310
Rated voltage (UL/CUL Group D)(V)	1000
Rated current (UL/CUL Group D)(A)	310

Environment & Safety

Back of the hand protection (YES or NO)	YES
Finger protection (YES or NO)	NO
Operating temperature. max (°C)	130
Operating temperature. min (°C)	-40

UL Recognized

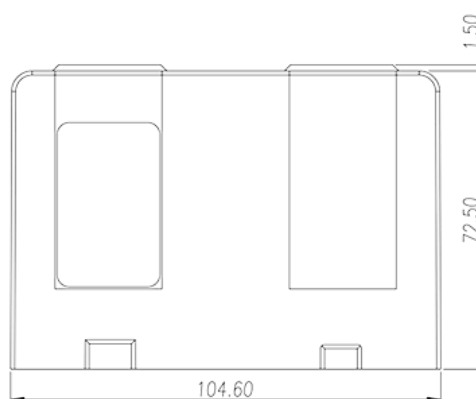
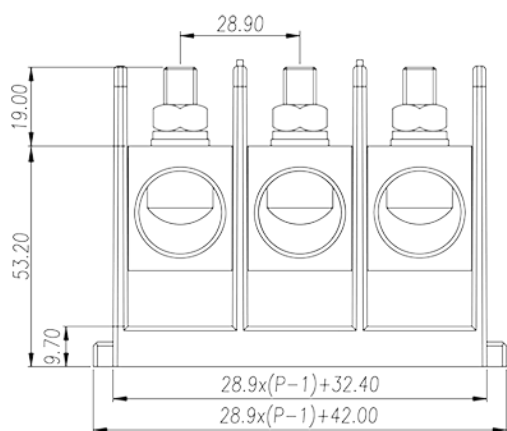
--	--

Wire Range (Group E)(AWG)	1/0~350kcmil
Rated current (Group E)(A)	310

CUL Recognized

Wire Range (Group E)(AWG)	1/0AWG~350kcmil
Rated voltage (Group E)(V)	1000
Rated current (Group E)(A)	310

Drawings



Approvals

