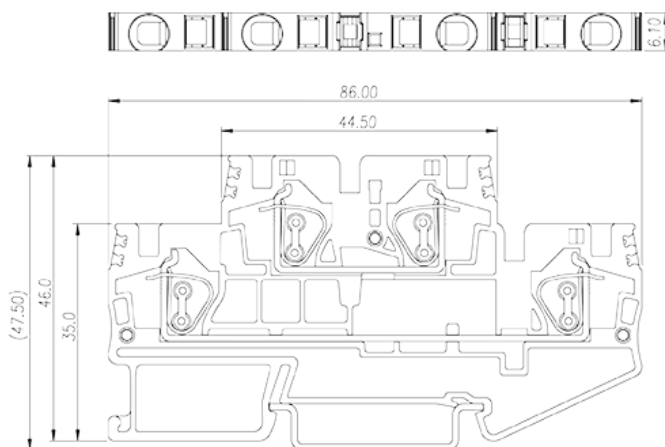
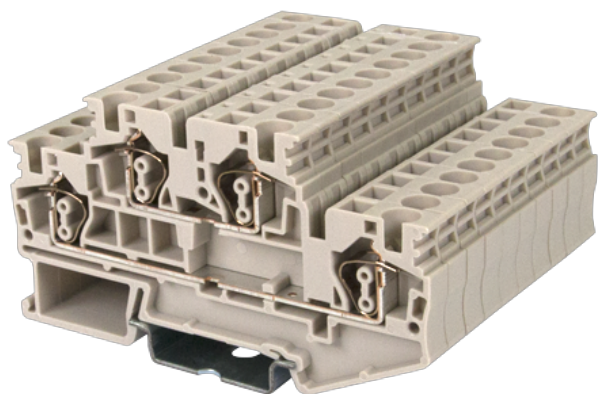


# AKK4

DIN Rail Terminal Blocks > Spring Clamp Connection

Date:2026-04-06Version:1.1



The web catalog is for reference only. Dinkle remains the right of product modification and engineering change of the design. The final product is made according to engineering drawing.

## Product Description

300V, 25A, Beige (default)

## General information

|                   |   |
|-------------------|---|
| Short description | DIN Rail terminal blocks, Bi level feed through terminal blocks |
| Category          | Bi level feed through terminal blocks                           |
| Color             | Beige (default)   |
| Connection method | Spring Clamp Connection   |
| Type of locking   | Rail Mounting   |
| Length (mm)       | 86  |
| Width (mm)        | 6.1   |
| Height (mm)       | 46  |
| Level             | Double level  |
| Connection points | 4   |

## Material information

|  |    |
|--|----|
| Insulation material                          | PA |
| Insulation material group                    | I  |
| Flame retardant rating , compliant with UL94 | V0 |

|                       |                                     |
|-----------------------|-------------------------------------|
| Insulation resistance | $\geq 500\text{M}\Omega$ at DC 500V |
|-----------------------|-------------------------------------|

## Connection data-IEC

|   |         |
|---|---------|
| Rated voltage (V)   | 630     |
| Rated current (A)   | 28      |
| Rated voltage (III/3)(V)  | 630     |
| Rated impulse voltage (II/2)(KV)  | 8       |
| Rated impulse voltage (III/2)(KV)   | 8       |
| Rated impulse voltage (III/3)(KV)   | 8       |
| Conductor cross section solid. min (mm <sup>2</sup> )   | 0.2     |
| Conductor cross section solid.max (mm <sup>2</sup> )  | 6       |
| Conductor cross section stranded. min (mm <sup>2</sup> )  | 0.2     |
| Conductor cross section stranded. max (mm <sup>2</sup> )  | 4       |
| Conductor cross section flexible, with min ferrule without plastic sleeve (mm <sup>2</sup> )            | 0.25    |
| Conductor cross section flexible, with max ferrule without plastic sleeve (mm <sup>2</sup> )            | 4       |
| Conductor cross section flexible, with min ferrule with plastic sleeve (mm <sup>2</sup> )               | 0.25    |
| Conductor cross section flexible, with max ferrule with plastic sleeve (mm <sup>2</sup> )               | 4       |
| 2 conductors with same cross section flexible, min twin ferrules with plastic sleeve (mm <sup>2</sup> ) | 0.5     |
| 2 conductors with same cross section flexible, max twin ferrules with plastic sleeve (mm <sup>2</sup> ) | 1       |
| Slotted screwdriver size (Blade thickness x Width)(mm)  | 0.6x3.5 |
| Stripping Length (mm)   | 10      |
| Mounting rail   | TS-35   |
| End cover plate required  | YES     |
| Grounding connections   | NO      |

## Connection data-UL

|   |     |
|---|-----|
| Rated voltage (UL/CUL Group B)(V)               | 300 |
| Rated current (UL/CUL Group B)(A)               | 25  |
| Rated voltage (UL/CUL Group C)(V)               | 300 |
| Rated current (UL/CUL Group C)(A)               | 25  |
| Min. solid wire connection (AWG) acc. to UL/CUL | 28  |
| Max. solid wire connection AWG acc. to UL/CUL   | 10  |

|  |    |
|--|----|
| Min. stranded wire connection AWG acc. to UL/CUL | 28 |
| Max. stranded wire connection AWG acc. to UL/CUL | 10 |

## Environment & Safety

|   |     |
|---|-----|
| Back of the hand protection (YES or NO) | YES |
| Finger protection (YES or NO)           | YES |
| Operating temperature. max (°C)         | 120 |
| Operating temperature. min (°C)         | -40 |

## UL Recognized

|                            |       |
|----------------------------|-------|
| Wire Range (Group B)(AWG)  | 28~10 |
| Rated voltage (Group B)(V) | 300   |
| Rated current (Group B)(A) | 25    |
| Wire Range (Group C)(AWG)  | 28~10 |
| Rated voltage (Group C)(V) | 300   |
| Rated current (Group C)(A) | 25    |

## CUL Recognized

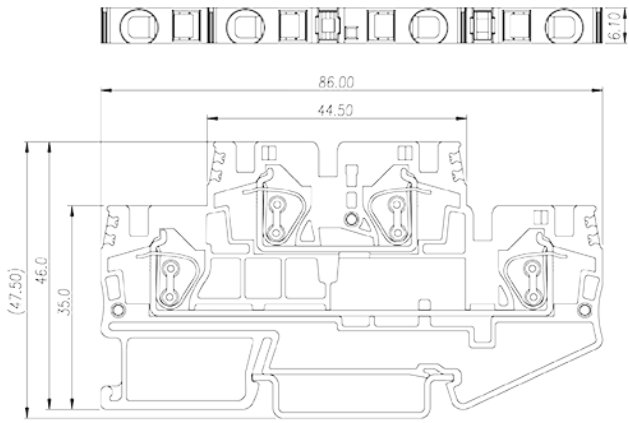
|                            |       |
|----------------------------|-------|
| Wire Range (Group B)(AWG)  | 28~10 |
| Rated voltage (Group B)(V) | 300   |
| Rated current (Group B)(A) | 25    |
| Wire Range (Group C)(AWG)  | 28~10 |
| Rated voltage (Group C)(V) | 300   |
| Rated current (Group C)(A) | 25    |

## VDE Approval

|                               |       |
|-------------------------------|-------|
| Wire Range (mm <sup>2</sup> ) | 0.2~4 |
| Rated voltage (V)             | 630   |
| Rated current (A)             | 28    |

## Drawings

|  |  |
|--|--|
|  |  |
|--|--|



## Approvals

