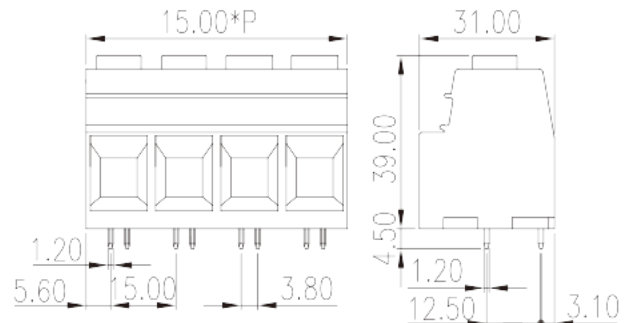


# ESK150V-XXP

PCB Terminal Blocks &gt; PCB Terminal Blocks

Date:2026-04-12Version:1.1



The web catalog is for reference only. Dinkle remains the right of product modification and engineering change of the design. The final product is made according to engineering drawing.

## Product Description

Pitch : 15.00mm, 600V, 115A(FW2)/125A(FW1)

## General information

|  |                                       |
|--|---------------------------------------|
| Short description                      | PCB Terminal Blocks, Screw Connection |
| Category                               | PCB Terminal Blocks                   |
| Pitch (mm)                             | 15.00                                 |
| Color                                  | Green (default)                       |
| Connection method                      | Screw Connection                      |
| Type of locking                        | Without                               |
| Soldering method                       | Wave Soldering                        |
| Length (mm)                            | $15.00*(P-1)+15.00$                   |
| Width (mm)                             | 31                                    |
| Height (mm)                            | 39                                    |
| Pin dimensions (Thickness x Width)(mm) | 1.2x1.2                               |
| PCB hole diameter (mm)                 | 1.7                                   |
| Number of positions                    | 01P~09P                               |
| Level                                  | Single level                          |

## Material information

|  |                   |
|--|-------------------|
| Insulation material                          | PA                |
| Insulation material group                    | I                 |
| Flame retardant rating , compliant with UL94 | V0                |
| Insulation resistance                        | □500MΩ at DC 500V |
| Conductor material                           | COPPER ALLOY      |
| Plating of conductor surface                 | Tin PLATED        |

## Connection data-IEC

|   |      |
|---|------|
| Rated voltage (V)   | 1000 |
| Rated current (A)   | 125  |
| Rated voltage (II/2)(V)   | 1000 |
| Rated voltage (III/2) (V)   | 1000 |
| Rated voltage (III/3)(V)  | 1000 |
| Rated impulse voltage (II/2)(KV)  | 8    |
| Rated impulse voltage (III/2)(KV)   | 8    |
| Rated impulse voltage (III/3)(KV)   | 8    |
| Conductor cross section solid. min (mm <sup>2</sup> )   | 0.5  |
| Conductor cross section solid.max (mm <sup>2</sup> )  | 35   |
| Conductor cross section stranded. min (mm <sup>2</sup> )  | 0.5  |
| Conductor cross section stranded. max (mm <sup>2</sup> )  | 35   |
| Conductor cross section flexible, with min ferrule without plastic sleeve (mm <sup>2</sup> )              | 0.25 |
| Conductor cross section flexible, with max ferrule without plastic sleeve (mm <sup>2</sup> )              | 35   |
| Conductor cross section flexible, with min ferrule with plastic sleeve (mm <sup>2</sup> )                 | 0.25 |
| Conductor cross section flexible, with max ferrule with plastic sleeve (mm <sup>2</sup> )                 | 35   |
| 2 conductors with same cross section, solid, min (mm <sup>2</sup> )                                       | 0.5  |
| 2 conductors with same cross section, solid, max (mm <sup>2</sup> )                                       | 6    |
| 2 conductors with same cross section, stranded, min (mm <sup>2</sup> )                                    | 0.5  |
| 2 conductors with same cross section, stranded, max (mm <sup>2</sup> )                                    | 6    |
| 2 conductors with same cross section flexible, with min ferrule without plastic sleeve (mm <sup>2</sup> ) | 0.5  |
| 2 conductors with same cross section flexible, with max ferrule without plastic sleeve (mm <sup>2</sup> ) | 4    |

|   |         |
|---|---------|
| 2 conductors with same cross section flexible, min twin ferrules with plastic sleeve (mm <sup>2</sup> ) | 0.5     |
| 2 conductors with same cross section flexible, max twin ferrules with plastic sleeve (mm <sup>2</sup> ) | 6       |
| Screw thread  | M5      |
| Slotted screwdriver size (Blade thickness x Width)(mm)  | 1.0x5.5 |
| Philips screwdriver size  | PZ2     |
| Recommend tightening torque. min (N.m)  | 3.7     |
| Recommend tightening torque. max (N.m)  | 4.5     |
| Stripping Length (mm)   | 18~19   |

## Connection data-UL

|  |                   |
|--|-------------------|
| Rated voltage (UL/CUL Group B)(V)                | 600               |
| Rated current (UL/CUL Group B)(A)                | 115(FW2)/125(FW1) |
| Rated voltage (UL/CUL Group C)(V)                | 600               |
| Rated current (UL/CUL Group C)(A)                | 115(FW2)/125(FW1) |
| Rated voltage (UL/CUL Group D)(V)                | 600               |
| Rated current (UL/CUL Group D)(A)                | 5                 |
| Min. solid wire connection (AWG) acc. to UL/CUL  | 20                |
| Max. solid wire connection AWG acc. to UL/CUL    | 2                 |
| Min. stranded wire connection AWG acc. to UL/CUL | 20                |
| Max. stranded wire connection AWG acc. to UL/CUL | 2                 |

## Environment & Safety

|                                 |     |
|---------------------------------|-----|
| Finger protection (YES or NO)   | YES |
| Operating temperature. max (°C) | 120 |
| Operating temperature. min (°C) | -40 |

## UL Recognized

|                            |                   |
|----------------------------|-------------------|
| Wire Range (Group B)(AWG)  | 20~2              |
| Rated voltage (Group B)(V) | 600               |
| Rated current (Group B)(A) | 115(FW2)/125(FW1) |
| Wire Range (Group C)(AWG)  | 20~2              |
| Rated voltage (Group C)(V) | 600               |
| Rated current (Group C)(A) | 115(FW2)/125(FW1) |
| Wire Range (Group D)(AWG)  | 20~2              |

|                            |     |
|----------------------------|-----|
| Rated voltage (Group D)(V) | 600 |
| Rated current (Group D)(A) | 5   |

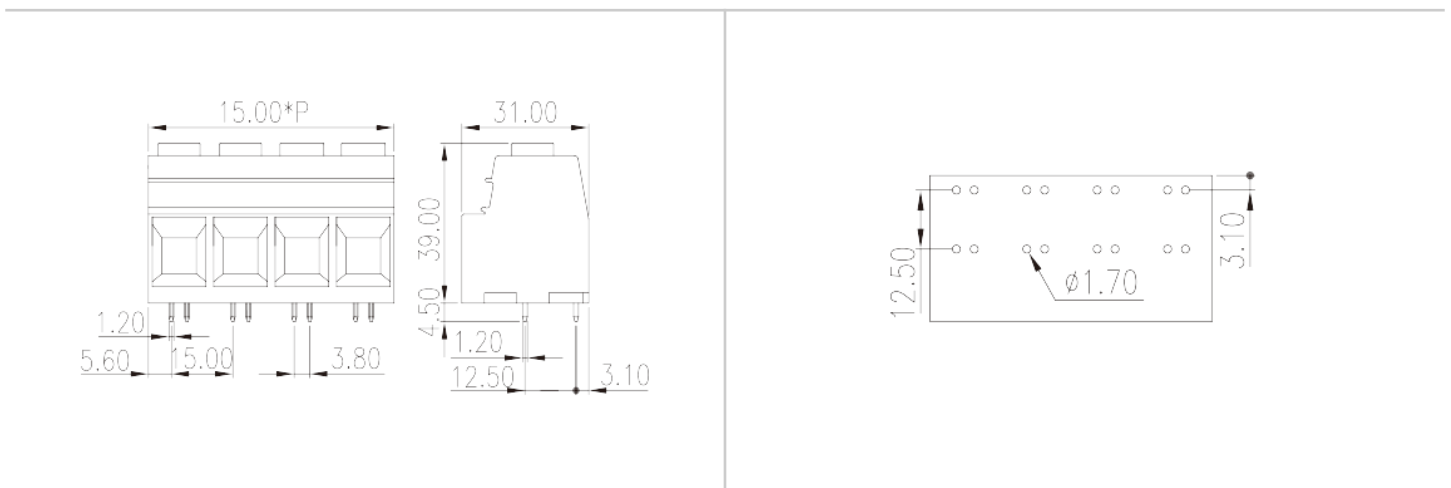
### CUL Recognized

|                            |                   |
|----------------------------|-------------------|
| Wire Range (Group B)(AWG)  | 20~2              |
| Rated voltage (Group B)(V) | 600               |
| Rated current (Group B)(A) | 115(FW2)/125(FW1) |
| Wire Range (Group C)(AWG)  | 20~2              |
| Rated voltage (Group C)(V) | 600               |
| Rated current (Group C)(A) | 115(FW2)/125(FW1) |
| Wire Ranget (Group D)(AWG) | 20~2              |
| Rated voltage (Group D)(V) | 600               |
| Rated current (Group D)(A) | 5                 |

### VDE Approval

|                               |        |
|-------------------------------|--------|
| Wire Range (mm <sup>2</sup> ) | 0.5~35 |
| Rated voltage (V)             | 1000   |
| Rated current (A)             | 125    |

### Drawings



### Approvals



